

HOME SIZE	MAX. ROOF LIVE LOAD (PSF)	30 PSF		40 PSF		40 PSF		100 PSF	
		85B & 86C	85C	85C	100B	100C			
SINGLES	4:12	UP TO 48'	4	2 ROWS	4	4	2 ROWS	4	2 ROWS
		48.5'-60'	6	3 ROWS	4	6	3 ROWS	4	6
		60.5'-78'	8	4 ROWS	4	8	4 ROWS	4	8
DOUBLE WIDES	3:12	UP TO 56'	8	2 ROWS	0	4	2 ROWS	4	8
		56.5'-66'	8	2 ROWS	0	4	2 ROWS	4	8
		66.5'-78'	12	3 ROWS	0	8	3 ROWS	4	12
TRIPLES WIDES	4:12	UP TO 48'	8	2 ROWS	0	12	3 ROWS	0	8
		48.5'-60'	12	3 ROWS	0	12	3 ROWS	0	12
		60.5'-78'	12	3 ROWS	0	12	3 ROWS	0	12

TABLE NOTES

TO USE TABLE, FIND HOME SIZE (SINGLE, DOUBLE OR TRIPLE), THEN FIND ROOF PITCH, WIDTH AND LENGTH. FOLLOW ROW ACROSS TO DESIGN SNOW LOAD THEN DESIGN WIND LOAD. READ TOTAL NUMBER OF C.P. SEISMIC PIERS, # OF ROWS & TIEDOWNS REQUIRED. SEE PLAN ABOVE FOR PLACEMENT OF C.P. SEISMIC PIERS AND TIEDOWN SPECIFICATIONS.

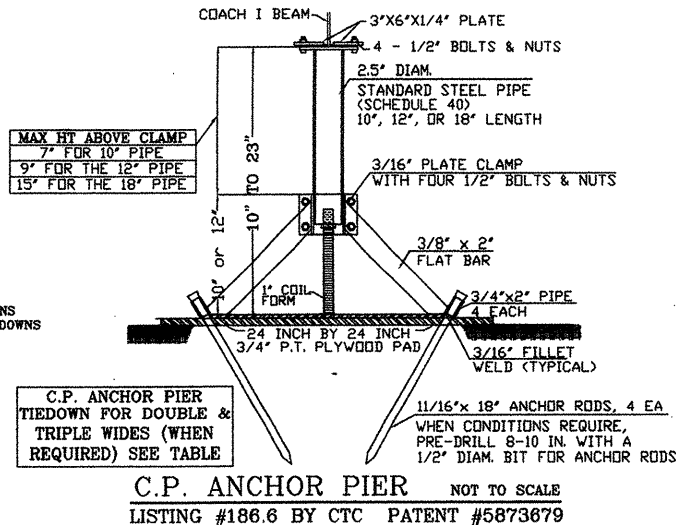
FOR EXAMPLE, FOR A 24'x70' HOME WITH A 3:12 ROOF PITCH, DESIGN SNOW LOAD OF 30 PSF & 85 MPH, EXPOSURE C WIND LOAD, READ 12 C.P. SEISMIC PIERS, PLACED IN 3 ROWS, WITH 0 C.P. ANCHOR PIER TIEDOWNS. LAYOUT SHOWN IN DOUBLE WIDE PLAN VIEW ABOVE.

*FOR SINGLE WIDES, WHERE TIEDOWN COLUMN IS SPLIT AS SHOWN, INSTALL 2 EARTH ANCHOR TIEDOWNS AT EACH ENDWALL. TOTAL # OF ENDWALL TIEDOWNS PER HOME IS INDICATED IN TABLE BY *.

HOME SIZES REFER TO NOMINAL SIZES THAT ARE COMMONLY MANUFACTURED. IF THE EXACT SIZE OF THE HOME IS NOT LISTED, CHECK THE NEXT HIGHER OR LOWER SIZE AND USE THE ONE THAT REQUIRED MORE PIERS.

THE TIEDOWNS SHALL BE LISTED & INSTALLATION INSTRUCTIONS SHALL BE ON SITE AT TIME OF INSPECTION.

THIS PLAN MAY BE USED WITH C.P. SEISMIC PIERS UP TO THE 18 INCH PIER SIZE. THE MAXIMUM HEIGHT OF THE C.P. SEISMIC AND C.P. ANCHOR PIERS IS 23' MEASURED FROM THE BASE PLATE TO THE TOP PLATE.



STATE APPROVAL

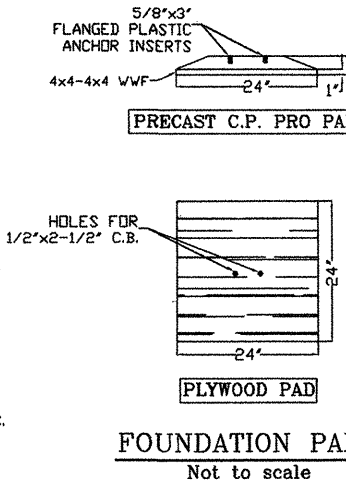
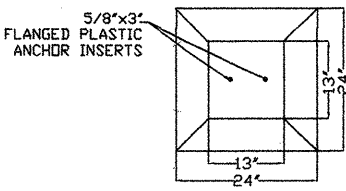
MANUFACTURED HOME/MOBILE HOME FOUNDATION SYSTEM HEALTH AND SAFETY CODE, SECTION 18551 APPROVED

SUBJECT TO CORRECTIONS NOTED

APPROVAL DOES NOT AUTHORIZE OR APPROVE ANY OMISSIONS OR DEVIATION FROM REQUIREMENTS OF APPLICABLE STATE LAWS AND REGULATIONS

State of California
Department of Housing and Community Development

DIVISION OF CODES AND STANDARDS
By *Don Rodriguez* DATE 2/15/10
SPANO. 30-5F
This Plan Approval Expires 10/26/2010



GENERAL NOTES:

REFERENCE: CALIFORNIA CODE OF REGULATIONS, TITLE 25 AND C.B.C. 2007, CHAPTER 16.

DESIGN LOADS SHALL BE CONSISTENT WITH LOCAL REQUIREMENTS WHERE INSTALLED. THE FOLLOWING DESIGN LOADS ARE INCORPORATED HEREIN:

FLOOR LIVE LOAD: 40 PSF ROOF LIVE LOAD: 30PSF - 100 PSF AS LISTED IN TABLE

SEISMIC DESIGN CATEGORY: D BASIC WIND SPEED & EXPOSURE: 85-100MPH AS LISTED IN TABLE SITE CLASS D Ss=1.5 Sds=1.4 Fa=1.4 V=0.215W

2. FOOTINGS ARE TO BE SUPPORTED BY EITHER FIRM, UNSATURATED, UNDISTURBED SOIL OR COMPACTED FILL, ASPHALT OR CONCRETE. FOOTINGS ARE DESIGNED FOR 1000 PSF BEARING CAPACITY AND SHALL BE COMPATIBLE WITH LOCAL SOIL CONDITIONS. ALL FOOTINGS SHALL BE FOUNDED IN ACCORDANCE WITH H.C.D. GUIDELINES AND TITLE 25 OR PREPARE SUBGRADE PER SOIL REPORT, WHEN AVAILABLE.

3. STRUCTURAL STEEL:

- SHALL CONFORM TO ASTM A36 Fy = 36 KSI MINIMUM.
- SHALL BE FABRICATED ACCORDING TO AISC SPECIFICATIONS.
- SHALL BE WELDED ACCORDING TO AWS SPECIFICATIONS:
 - ELECTRODES: E70
 - PLATES: ASTM A36
 - BOLTS: STANDARD ASTM A307
 - THREADED ROD: COLD DRAWN LOW CARBON WELDABLE
- ALL METAL COMPONENTS INCLUDING NAILS & SCREWS ETC. ARE TO BE PROTECTIVE COATED.

4. THE C.P. SEISMIC PIER SHALL BE LISTED & LABELED BY BSK ASSOCIATES FOR THESE ULTIMATE LOADS:
A. 7" THRU 18 INCH PIERS: 3203 LBS. (STRONG DIR), 2273 (WEAK DIR), 16,000 VERTICAL

5. THIS FOUNDATION SYSTEM IS FOR PLACING MANUFACTURED HOMES CONSTRUCTED WITH LONGITUDINAL OR CROSS JOISTS.

6. THIS FOUNDATION SYSTEM IS DESIGNED TO BE CONSTRUCTED ON A FAIRLY LEVEL SITE WITH NO EXISTING SOIL PROBLEMS. SEE NOTE 2 AND TITLE 25, SECTION 1334(b).

7. THE SIZE, TYPE & LOCATION OF STANDARD VERTICAL SUPPORT PIERS & FOOTINGS MUST BE INSTALLED PER THE HOME MANUFACTURER'S INSTALLATION MANUAL. WITHOUT MANUAL, SPACING OF STANDARD PIERS TO BE DETERMINED BY TITLE 25, SECTION 1335.5.

FOUNDATION PAD NOTES:

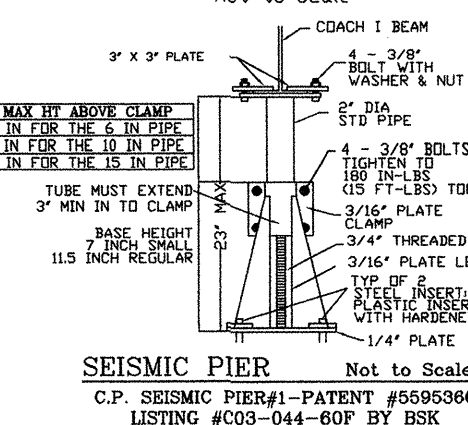
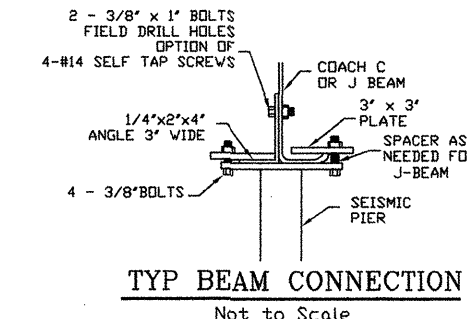
- TWO FOUNDATION PADS ARE AVAILABLE FOR USE WITH THIS SYSTEM. THE CUSTOMER MAY CHOOSE ONE OF THE PADS FOR THEIR HOME.
- FDTN PADS SHALL BE PLACED ON FIRM, LEVEL UNDISTURBED SOIL (SEE GEN. NOTE 2)
- THE FOUNDATION PADS SHALL BE ORIENTED AS SHOWN ON THE PLAN VIEW DRAWING WITH THE BOLT HOLES PERPENDICULAR TO THE CHASSIS BEAM. SEE PLAN VIEW.
- CONCRETE FOUNDATION PADS**
 - 2500 PSI AT 28 DAYS AS TESTED AND MANUF. BY STARLITE WEIGHT CONCRETE.
- PRESSURE TREATED FOUNDATION PAD**
 - 3/4 INCH A.P.A. 48/24 EXTERIOR P.S.I.-83 CC. PLUGGED, NER-QA397,PRP-108.
- ATTACHMENT TO EXISTING CONCRETE SLAB**
THE C.P. SEISMIC PIER MAY BE ATTACHED TO AN EXISTING COMPETENT CONCRETE SLAB OR CONCRETE FOOTING ACCORDING TO THE FOLLOWING CRITERIA:
 - ATTACH WITH TWO 1/2" DIA. ITW RAMSET/ REDHEAD TRUBULT WEDGE ANCHORS
 - MINIMUM EMBEDMENT = 2.5"
 - MINIMUM CONCRETE THICKNESS = 3 3/4"
 - MINIMUM EDGE DISTANCE = 2"

COACH SIZE NOTES:

- UNLESS APPROVED BY ROCK SOLID ENGINEERING, INC., THE ROOF PITCH SHOULD NOT EXCEED:
 - SINGLE WIDES: 4:12
 - DOUBLE AND TRIPLE WIDES: 3:12 or 4:12 AS LISTED IN TABLE
- FOR ANY HOME SIZE OTHER THAN AS SHOWN ON THIS PLAN OR REFERENCED IN THE TABLE, THE LAYOUT SHALL BE REVIEWED & APPROVED BY ROCK SOLID ENGINEERING, INC.

INSPECTION REQUIREMENTS:

- THE DESIGN OF THIS SYSTEM IS BASED ON STANDARD MANUFACTURED HOMES AS BUILT BY THE MANUFACTURER. SITE BUILT ADDITIONS SUCH AS GARAGES AND SECONDARY ROOFS HAVE NOT BEEN INCLUDED IN THIS DESIGN.
- ALL DIMENSIONS INCLUDED ON THIS PLAN, INCLUDING COACH SIZE, ROOF HEIGHT AND PIER HEIGHT, SHOULD BE FIELD VERIFIED BY THE LOCAL BUILDING OFFICIAL. ANY DISCREPANCIES SHOULD BE IMMEDIATELY BROUGHT TO THE ENGINEER'S ATTENTION.
- THE BUILDING PAD SHOULD BE INSPECTED TO ENSURE THAT PROPER SOIL CONDITIONS AND DRAINAGE PATTERNS HAVE BEEN ESTABLISHED IN ACCORDANCE WITH TITLE 25 & THE HOME INSTALLATION MANUAL.



REVISIONS BY

FOR: CENTRAL PIERS, INC.
284 N. THORNE
FRESNO, CA. 93706
(559) 268-0828

ENGINEERED FOUNDATION SYSTEM: SPA 30-5F

DATE: 07-29-08
SCALE: AS SHOWN
DRAWN: YMW
JOB #: W03002
SHEET: 1
OF 1 SHEETS

Rock Solid Engineering, Inc.
Civil & Geotechnical Consultants
Foundation Engineering • Site Assessments • Manufactured Home Foundations • Expert Witness

1100 MAIN STREET, SUITE A, WATSONVILLE, CA. 95076 (831) 724-5868