

**GENERAL NOTES:**  
 REFERENCE: CALIFORNIA CODE OF REGULATIONS, TITLE 25 AND C.B.C. 2007, CHAPTER 16.  
 1. DESIGN LOADS SHALL BE CONSISTENT WITH LOCAL REQUIREMENTS WHERE INSTALLED. THE FOLLOWING DESIGN LOADS ARE INCORPORATED HEREIN:  
 FLOOR LIVE LOAD: 50 PSF ROOF LIVE LOAD: 30PSF - 100 PSF AS LISTED IN TABLE  
 SEISMIC DESIGN CATEGORY: D BASIC WIND SPEED & EXPOSURE: 85-105 MPH AS LISTED IN TABLE  
 SITE CLASS D Ss=1.5 Sds=1.4 F=1.0  
 2. FOOTINGS ARE TO BE SUPPORTED BY EITHER FIRM, UNSATURATED, UNDISTURBED SOIL OR COMPACTED FILL, ASPHALT OR CONCRETE. FOOTINGS ARE DESIGNED FOR 1000 PSF BEARING CAPACITY AND SHALL BE COMPATIBLE WITH LOCAL SOIL CONDITIONS. ALL FOOTINGS SHALL BE FOUNDATION IN ACCORDANCE WITH H.C.D. GUIDELINES AND TITLE 25.  
 3. STRUCTURAL STEEL:  
 a. SHALL CONFORM TO ASTM A36 Fy = 36 KSI MINIMUM.  
 b. SHALL BE FABRICATED ACCORDING TO AISC SPECIFICATIONS.  
 c. SHALL BE WELDED ACCORDING TO AWS SPECIFICATIONS:  
 i. ELECTRODES: E70  
 ii. PLATES: ASTM A36  
 iii. BOLTS: STANDARD ASTM A307  
 iv. THREADED ROD: COLD DRAWN LOW CARBON WELDABLE  
 d. ALL METAL COMPONENTS INCLUDING NAILS & SCREWS ETC. ARE TO BE PROTECTIVE COATED.  
 4. THE C.P. SEISMIC PIER SHALL BE LISTED & LABELED BY BSK ASSOCIATES FOR THESE ULTIMATE LOADS:  
 A. 7" THRU 18 INCH PIERS: 3203 LBS. (STRONG DIR), 2273 (WEAK DIR), 18,000 VERTICAL  
 B. 19 INCH X-LARGE PIER: 1553 LBS. (STRONG DIR), 1462 (WEAK DIR), 18,000 VERTICAL  
 5. THIS FOUNDATION SYSTEM IS FOR PLACING COMMERCIAL COACHES CONSTRUCTED WITH LONGITUDINAL OR CROSS JOISTS.  
 6. THIS FOUNDATION SYSTEM IS DESIGNED TO BE CONSTRUCTED ON A FAIRLY LEVEL SITE WITH NO EXISTING SOIL PROBLEMS. SEE NOTE 2 AND TITLE 25, SECTION 1334(b).  
 7. STANDARD PIER & FOOTING SPACING PER COACH MANUFACTURER'S INSTALLATION INSTRUCTIONS. WITHOUT MANUAL, SPACING OF STANDARD PIERS TO BE DETERMINED BY TITLE 25, SECTION 1335.5.

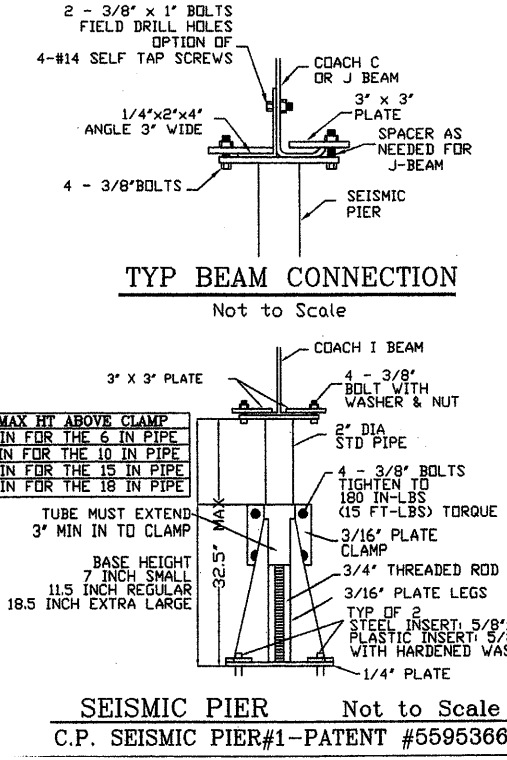
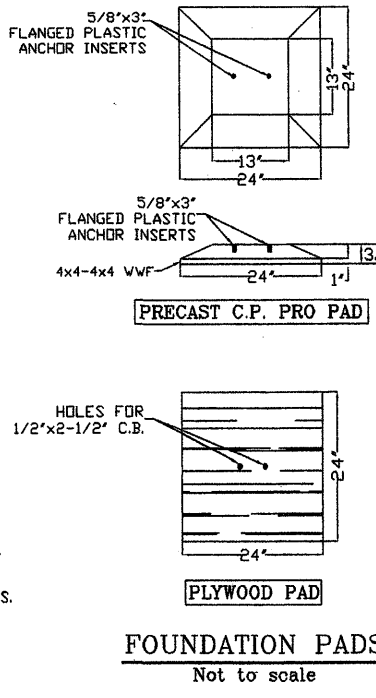
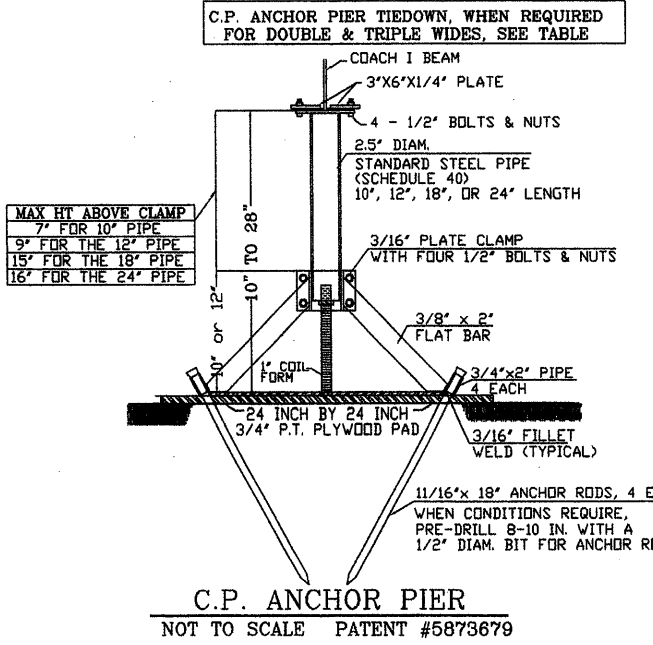
**FOUNDATION PAD NOTES:**  
 1. TWO FOUNDATION PADS ARE AVAILABLE FOR USE WITH THIS SYSTEM. THE CUSTOMER MAY CHOOSE ONE OF THE PADS FOR THEIR COACH.  
 2. PDYN PADS SHALL BE PLACED ON FIRM, LEVEL UNDISTURBED SOIL (SEE GEN. NOTE 2)  
 3. THE FOUNDATION PADS SHALL BE ORIENTED AS SHOWN ON THE PLAN VIEW DRAWING WITH THE BOLT HOLES PERPENDICULAR TO THE CHASSIS BEAM. SEE PLAN VIEW.  
 4. CONCRETE FOUNDATION PADS  
 A. 2500 PSI AT 28 DAYS AS TESTED AND MANUF. BY STARLITE WEIGHT CONCRETE.  
 5. PRESSURE TREATED FOUNDATION PAD  
 A. 3/4 INCH A.P.A. 48/24 EXTERIOR P.S.I.-83 CC. PLUGGED, NER-QA397,PRP-108.  
 6. ATTACHMENT TO EXISTING CONCRETE SLAB  
 THE C.P. SEISMIC PIER MAY BE ATTACHED TO AN EXISTING COMPETENT CONCRETE SLAB OR CONCRETE FOOTING ACCORDING TO THE FOLLOWING CRITERIA:  
 1. ATTACH WITH TWO 1/2" DIAM. ITW RAMSET/ REDHEAD TRUBULT WEDGE ANCHORS  
 2. MINIMUM EMBEDMENT = 2.5"  
 3. MINIMUM CONCRETE THICKNESS = 3 3/4"  
 4. MINIMUM EDGE DISTANCE = 2"

**COACH SIZE NOTES:**  
 1. UNLESS APPROVED BY ROCK SOLID ENGINEERING, INC., THE ROOF PITCH SHOULD NOT EXCEED:  
 A. SINGLE WIDES: 3:12  
 B. DOUBLE AND TRIPLE WIDES: 3:12 AS LISTED IN TABLE  
 2. FOR ANY HOME SIZE OTHER THAN AS SHOWN ON THIS PLAN OR REFERENCED IN THE TABLE, THE LAYOUT SHALL BE REVIEWED & APPROVED BY ROCK SOLID ENGINEERING, INC.

**INSPECTION REQUIREMENTS:**  
 1. THE DESIGN OF THIS SYSTEM IS BASED ON STANDARD COMMERCIAL COACHES AS BUILT BY THE MANUFACTURER. SITE BUILT ADDITIONS HAVE NOT BEEN INCLUDED IN THIS DESIGN.  
 2. ALL DIMENSIONS INCLUDED ON THIS PLAN, INCLUDING COACH SIZE, ROOF HEIGHT AND PIER HEIGHT, SHOULD BE FIELD VERIFIED BY THE LOCAL BUILDING OFFICIAL. ANY DISCREPANCIES SHOULD BE IMMEDIATELY BROUGHT TO THE ENGINEER'S ATTENTION.  
 3. THE BUILDING PAD SHOULD BE INSPECTED TO ENSURE THAT PROPER SOIL CONDITIONS AND DRAINAGE PATTERNS HAVE BEEN ESTABLISHED IN ACCORDANCE WITH TITLE 25 & THE COACH MANUFACTURER'S REQUIREMENTS.

COACH SIZE	MAX. ROOF LIVE LOAD (PSF)	MAX. WIND LOAD (MPH, EXP)	30 PSF		60 PSF		60 PSF		100 PSF					
			# OF SEISMIC PIERS	# OF ROWS	# OF TIE DOWNS	# OF SEISMIC PIERS	# OF ROWS	# OF TIE DOWNS	# OF SEISMIC PIERS	# OF ROWS	# OF TIE DOWNS			
SINGLE WIDES	8'-16'	UP TO 48'	4	2 ROWS	4	2 ROWS	4	2 ROWS	4	2 ROWS	6*			
			6	3 ROWS	4	3 ROWS	4	3 ROWS	6	3 ROWS	8*			
			8	4 ROWS	4	4 ROWS	4	4 ROWS	8	4 ROWS	8*			
DOUBLE WIDES	20'-32'	UP TO 48'	4	2 ROWS	0	2 ROWS	4	3 ROWS	4	3 ROWS	4			
			12	3 ROWS	0	3 ROWS	4	3 ROWS	4	12	4 ROWS	4		
			16	4 ROWS	0	12	4 ROWS	4	12	4 ROWS	4	14	5 ROWS	6
TRIPLE WIDES	30'-48'	UP TO 48'	12	3 ROWS	0	12	3 ROWS	0	12	3 ROWS	4			
			12	3 ROWS	0	16	4 ROWS	0	12	4 ROWS	4	12	4 ROWS	4
			16	4 ROWS	0	20	5 ROWS	0	16	5 ROWS	4	14	5 ROWS	6
TRIPLE WIDES	40.5'-48'	UP TO 48'	12	3 ROWS	0	16	4 ROWS	0	16	4 ROWS	4			
			12	3 ROWS	0	12	4 ROWS	4	12	4 ROWS	4	14	5 ROWS	6
			16	4 ROWS	0	16	5 ROWS	4	16	5 ROWS	4	18	6 ROWS	6

**TABLE NOTES**  
 TO USE TABLE, FIND COACH WIDTH THEN LENGTH. FOLLOW ROW ACROSS TO DESIGN ROOF (SNOW) LOAD THEN DESIGN WIND LOAD. READ TOTAL NUMBER OF C.P. SEISMIC PIERS, # OF ROWS & TIEDOWNS REQUIRED. SEE PLAN ABOVE FOR PLACEMENT OF C.P. SEISMIC PIERS AND TIEDOWN SPECIFICATIONS.  
 FOR EXAMPLE, FOR A 24'x60' COACH WITH A DESIGN SNOW LOAD OF 30 PSF & 85 MPH, EXPOSURE C WIND LOAD, READ 8 C.P. SEISMIC PIERS, PLACED IN 3 ROWS, WITH 4 C.P. ANCHOR PIER TIEDOWNS. LAYOUT SHOWN IN DOUBLE WIDE PLAN VIEW ABOVE.  
 \*FOR SINGLE WIDES, WHEN THE NUMBER OF TIEDOWNS IS SHOWN WITH AN ASTERICK (\*), INSTALL MIN. 2 EARTH AUGER TIEDOWNS AT EACH ENDWALL OF THE HOME. THIS GENERALLY APPLIES FOR 105MPH, EXPOSURE C AND 100 PSF SNOW LOAD AREAS.  
 COACH SIZES REFER TO NOMINAL SIZES THAT ARE COMMONLY MANUFACTURED. IF THE EXACT SIZE OF THE COACH IS NOT LISTED, CHECK THE NEXT HIGHER OR LOWER SIZE AND USE THE ONE THAT REQUIRED MORE PIERS.  
 THE TIEDOWNS SHALL BE LISTED & INSTALLATION INSTRUCTIONS SHALL BE ON SITE AT TIME OF INSPECTION.  
 NO MORE THAN 1/3 OF THE TOTAL NUMBER OF C.P. SEISMIC AND ANCHOR PIERS MAY BE EXTENDED ABOVE 22.75 INCHES MEASURED FROM THE BASE OF THE PIER TO THE TOP PLATE OF THE PIER.



COMMERCIAL/MODULAR/COMMERCIAL COACH FOUNDATION SYSTEM HEALTH AND SAFETY CODE, SECTION 1851 APPROVED  
 SUBJECT TO CORRECTIONS NOTED  
 APPROVAL DOES NOT AUTHORIZE OR APPROVE ANY OMISSIONS OR DEVIATION FROM REQUIREMENTS OF APPLICABLE STATE LAWS AND REGULATIONS  
 STATE OF CALIFORNIA DEPARTMENT OF HOUSING AND COMMUNITY DEVELOPMENT  
 DIVISION OF CODES AND STANDARDS  
 BY: [Signature] DATE: 5/7/2008  
 SPA NO. 30-7F  
 THIS PLAN APPROVAL EXPIRES 5/2/2010



REVISIONS BY

FOR: CENTRAL PIERS, INC.  
 284 N. THORNE  
 FRESNO, CA. 93706  
 (559) 268-0828

DATE: 04-09-08  
 SCALE: AS SHOWN  
 DRAWN: YMW  
 JOB #: W03002  
 SHEET: 1  
 OF 1 SHEETS

Rock Solid Engineering, Inc.  
 Civil & Geotechnical Consultants  
 Foundation Engineering • Site Assessments • Manufactured Home Foundations • Expert Witness

1100 MAIN STREET, SUITE A, WATSONVILLE, CA. 95076 (831) 724-5868

COMMERCIAL COACH FOUNDATION SYSTEM: SPA 30-7F