

		SEISMIC ZONE		
		3 & 4	3 & 4	3 & 4
		30 psf	60 psf	80 psf
WIDTH	LENGTH	# OF ANCHOR PIERS	# OF ANCHOR PIERS	# OF ANCHOR PIERS
SINGLE WIDES 10'-16'	UP TO 68 FT	4	4	6
	UP TO 78 FT	6	6	6

FIND COACH SIZE IN TABLE. FOLLOW ACROSS TO DESIGN LOAD. READ TOTAL NUMBER OF C.P. ANCHOR PIERS REQUIRED. REFER TO DRAWING ABOVE FOR PLACEMENT OF PIERS. IF EXACT DIMENSION OF HOME IS NOT LISTED, USE NEXT LARGER SIZE.

		SEISMIC ZONE		
		3 & 4	3	3 & 4
		30 psf	60 psf	80 psf
WIDTH	LENGTH	# OF ANCHOR PIERS	# OF ANCHOR PIERS	# OF ANCHOR PIERS
DOUBLE WIDES 20'-28'	UP TO 48 FT	4	4	6
	UP TO 66 FT	6	6	8
	UP TO 78 FT	8	8	10
29'-32'	UP TO 48 FT	4	6	6
	UP TO 66 FT	6	8	8
	UP TO 78 FT	8	8	10
TRIPLE WIDES 30'-40'	UP TO 48 FT	6	6	8
	UP TO 60 FT	6	8	10
	UP TO 78 FT	8	10	12
41'-48'	UP TO 44 FT	6	6	8
	UP TO 60 FT	8	10	12
	UP TO 78 FT	10	12	14

FIND COACH SIZE IN TABLE. FOLLOW ACROSS TO DESIGN LOAD. READ TOTAL NUMBER OF C.P. ANCHOR PIERS REQUIRED. REFER TO DRAWING ABOVE FOR PLACEMENT OF PIERS. IF EXACT DIMENSION OF HOME IS NOT LISTED, USE NEXT LARGER SIZE.



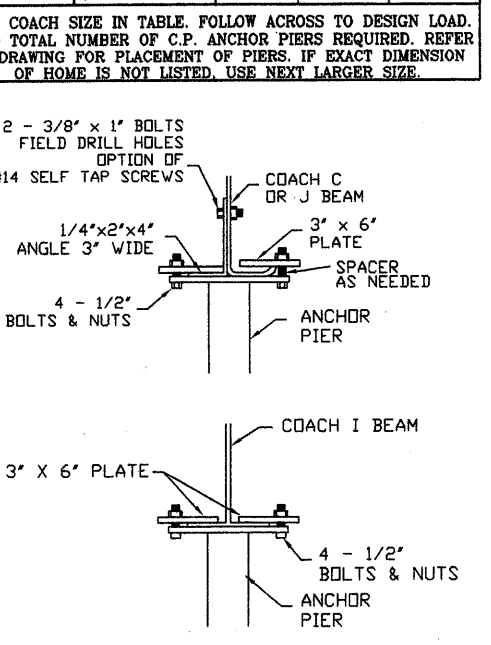
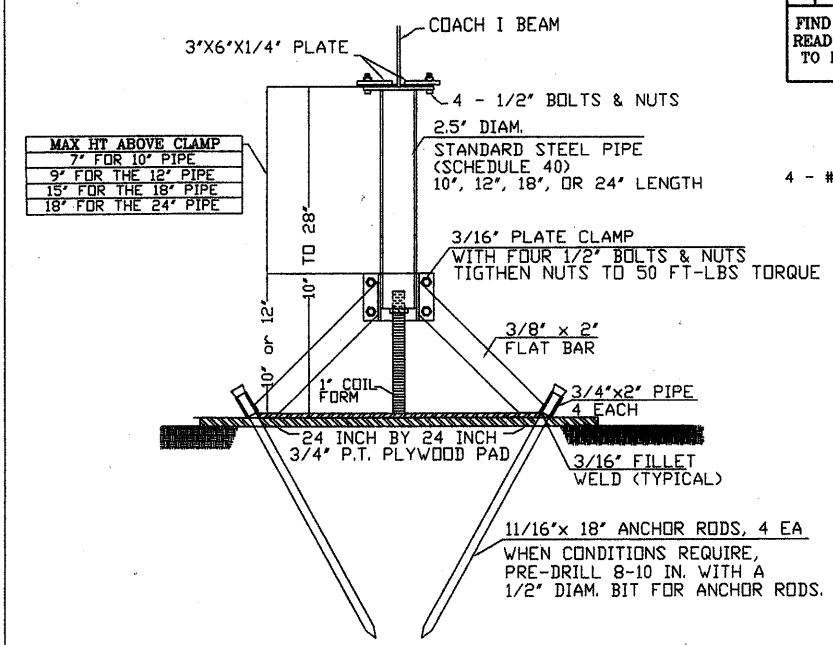
- GENERAL NOTES:**
- REFERENCE: CALIFORNIA CODE OF REGULATIONS, TITLE 25.
- THE DESIGN LOADS ARE AS LISTED IN THE TABLE.
 - THE DESIGN LOADS SHALL BE CONSISTENT WITH ROOF LIVE LOAD AS ESTABLISHED FOR PERMANENT BUILDINGS BY THE GOVERNING JURISDICTION.
 - FOOTINGS ARE TO BE SUPPORTED BY EITHER FIRM, UNSATURATED SOIL, COMPACTED FILL, ASPHALT OR CONCRETE. FOOTINGS ARE DESIGNED FOR 1000 PSF BEARING CAPACITY & SHALL BE COMPATIBLE WITH LOCAL SOIL CONDITIONS. ALL FOOTINGS SHALL BE FOUNDED IN ACCORDANCE WITH H.C.D GUIDELINES AND TITLE 25.
 - STRUCTURAL STEEL:
 - SHALL CONFORM TO ASTM A36 Fy = 36 KSI MINIMUM.
 - SHALL BE FABRICATED ACCORDING TO AISC SPECIFICATIONS.
 - SHALL BE WELDED ACCORDING TO AWS SPECIFICATIONS:
 - ELECTRODES: E70
 - PLATES: ASTM A36
 - BOLTS: SAE GR5=ASTM A449=ASTM A325
 - THREADED ROD: COLD DRAWN LOW CARBON WELDABLE
 - ALL METAL COMPONENTS INCLUDING NAILS & SCREWS ETC. ARE TO BE PROTECTIVE COATED.
 - THE ANCHOR ASSEMBLIES SHALL BE LISTED AND LABELED BY CERTIFIED TESTING AND CONSULTING SERVICES (CTS) FOR THE FOLLOWING LOADS:
 - ANCHOR PIER LATERAL: 1893 LBS (Working Load)
 - ANCHOR PIER UPLIFT: 2133 LBS (Working Load)
 - ALL MANUFACTURER REQUIRED PIERS MUST BE POSITIVELY ATTACHED TO THE CHASSIS BEAM AND FOUNDATION PAD PER TITLE 25, SECTION 1334.1. STANDARD PIER SPACING PER MANUFACTURER'S INSTALLATION MANUAL. WITHOUT MANUFACTURER'S INSTALLATION MANUAL, STANDARD PIERS TO BE DETERMINED BY TITLE 25, SECTION 1335.5
 - THIS SYSTEM MAY BE USED WITH MASONRY BLOCK STANDARD SUPPORTS. THE BLOCKS SHOULD BE INSTALLED PER THE HOME INSTALLATION MANUAL.
 - THIS BRACING SYSTEM PLAN IS DESIGNED TO BE CONSTRUCTED ON A LEVEL SITE WITH NO EXISTING SOIL PROBLEMS (SECTION 1334, TITLE 25)
 - THE ANCHOR PIER SHALL NOT BE INSTALLED IN NON-COHESIVE SOIL. (CLASS 4 SP, SW, GP, GW)

- FOUNDATION PADS:**
- CUSTOMER MAY CHOOSE EITHER THE PLYWOOD FOUNDATION PAD OR A CAST-IN-PLACE CONCRETE FOOTING.
 - PLYWOOD PAD: 24"x24"x3/4" P.T. PLYWOOD
 - CONCRETE FOOTING: MINIMUM FOOTING SIZE 24"x24"x18" DEEP. MINIMUM 2500 PSI CONCRETE COMPRESSIVE STRENGTH. ANCHOR RODS MAY BE WET SET OR INSTALLED IN PRE-DRILLED HOLES INTO THE SET CONCRETE FOOTING. PLYWOOD PAD MAY BE OMITTED WHEN C.P. ANCHOR IS INSTALLED ON CONCRETE.

- COACH SIZE NOTES:**
- THE NUMBER OF C.P. ANCHOR PIERS TO BE DETERMINED BY TABLE BY HOME SIZE.
 - UNLESS APPROVED BY ROCK SOLID ENGINEERING, INC., THE ROOF PITCH SHOULD NOT EXCEED THAT LISTED IN THE TABLE.
 - FOR ANY COACH SIZE OTHER THAN LISTED IN THE TABLE, THE ANCHOR AND PAD LAYOUT SHALL BE REVIEWED AND APPROVED BY ROCK SOLID ENGINEERING, INC.

- INSPECTION REQUIREMENTS:**
- THE DESIGN OF THIS SYSTEM IS BASED ON STANDARD MANUFACTURED HOMES AS BUILT BY THE MANUFACTURER. SITE BUILT ADDITIONS SUCH AS GARAGES AND SECONDARY ROOFS HAVE NOT BEEN INCLUDED IN THIS DESIGN.
 - ALL DIMENSIONS INCLUDED ON THIS PLAN, INCLUDING COACH SIZE, ROOF HEIGHT AND PIER HEIGHT, SHOULD BE FIELD VERIFIED BY THE LOCAL BUILDING OFFICIAL. ANY DISCREPANCIES SHOULD BE IMMEDIATELY BROUGHT TO THE ENGINEER'S ATTENTION.
 - THE BUILDING PAD SHOULD BE INSPECTED TO ENSURE THAT LOT PREPARATION & PROPER DRAINAGE PATTERNS HAVE BEEN ESTABLISHED IN ACCORDANCE WITH TITLE 25 & MANUFACTURER INSTALLATION MANUAL.

- INSTALLATION INSTRUCTIONS**
- MARK CHASSIS BEAM ACCORDING TO REQUIRED SPACING.
 - FOUNDATION FOR CHASSIS BEAM SUPPORTS SHALL BE LOCATED AND SIZED FOR THE LOADS AS SHOWN IN THE HOME INSTALLATION INSTRUCTIONS.
 - ALL MANUFACTURER REQUIRED PADS & PIERS, EXCEPT MASONRY BLOCKS, MUST BE ATTACHED TO THE CHASSIS BEAM & FOOTING PAD PER TITLE 25, SECTION 1336.4.
 - LEVEL THE SOIL AND PLACE C.P. ANCHOR PIER BELOW MARKING AS PER LAYOUT, THIS SHEET.
 - ASSEMBLE C.P. ANCHOR PIER TO ITS LOWEST SETTING AND DRIVE 4 ANCHOR RODS THROUGH ASSEMBLY ON STAND AND THROUGH THE PRESSURE TREATED PLYWOOD INTO SOIL, AS SHOWN ON DETAIL, THIS SHEET.
 - RAISE TOP SECTION OF C.P. ANCHOR PIER UNTIL IT TOUCHES BOTTOM OF CHASSIS BEAM BY TURNING PIPE (FOUR TURNS EQUALS ONE INCH CHANGE IN HEIGHT). TIGHTEN FOUR CLAMPS BOLTS FIRMLY.
 - CLAMP UPPER PLATE TO BOTTOM OF CHASSIS BEAM AS PER DETAIL, THIS SHEET.

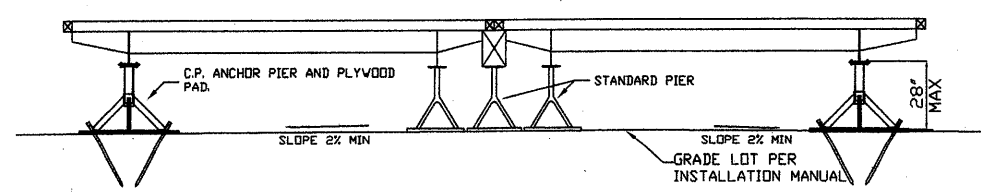


MOBILE HOME EARTHQUAKE BRACING SYSTEM CERTIFICATION

THIS SYSTEM IS CERTIFIED AS BEING LISTED & APPROVED BY A DEPARTMENT APPROVED LISTING OR TESTING AGENCY PURSUANT TO THE C.A.C. TITLE 25 CHAPTER 2. CERTIFICATION DOES NOT AUTHORIZE OR APPROVE ANY OMISSION OF DEVIATION FROM REQUIREMENTS OF APPLICABLE STATE LAWS OR REGULATIONS.

STATE OF CALIFORNIA
DEPARTMENT OF HOUSING & COMMUNITY DEVELOPMENT
DIVISION OF CODES & STANDARDS

BY: *[Signature]*
DATE: 10/30/2008
EXPIRES: 10/31/2010



C.P. ANCHOR PIER (Listing# 186.6)
SCALE: 1" = 10" PATENT #5873679

TYPICAL BEAM CONNECTIONS
Not to Scale

TRANSVERSE SECTION
NOT TO SCALE

REVISIONS	BY
10-02-06	YW
10-09-08	YW

ROCK SOLID ENGINEERING, INC.
CIVIL & GEOTECHNICAL CONSULTANTS
Foundation Engineering • Site Assessments • Manufactured Home Foundations • Expert Witness

FOR: CENTRAL PIERS, INC.
284 N. THORNE
FRESNO, CA. 93706
1 800 653 0387

C.P. ANCHOR PIER-EARTHQUAKE RESISTANT BRACING SYSTEM

DATE: 09-02-04
SCALE: AS SHOWN
DRAWN: YMW
JOB #: W03002
SHEET: 1 OF 1 SHEETS