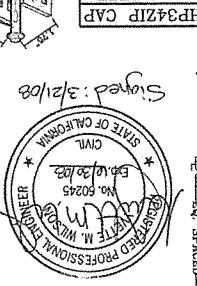


1100 MAIN STREET, SUITE A, WATSONVILLE, CA 95076 (831) 724-5868
 Foundation Engineering • Site Assessments • Manufactured Home Foundations • Expert Witness
ROCK SOLID ENGINEERING, INC.
CIVIL & GEOTECHNICAL CONSULTANTS

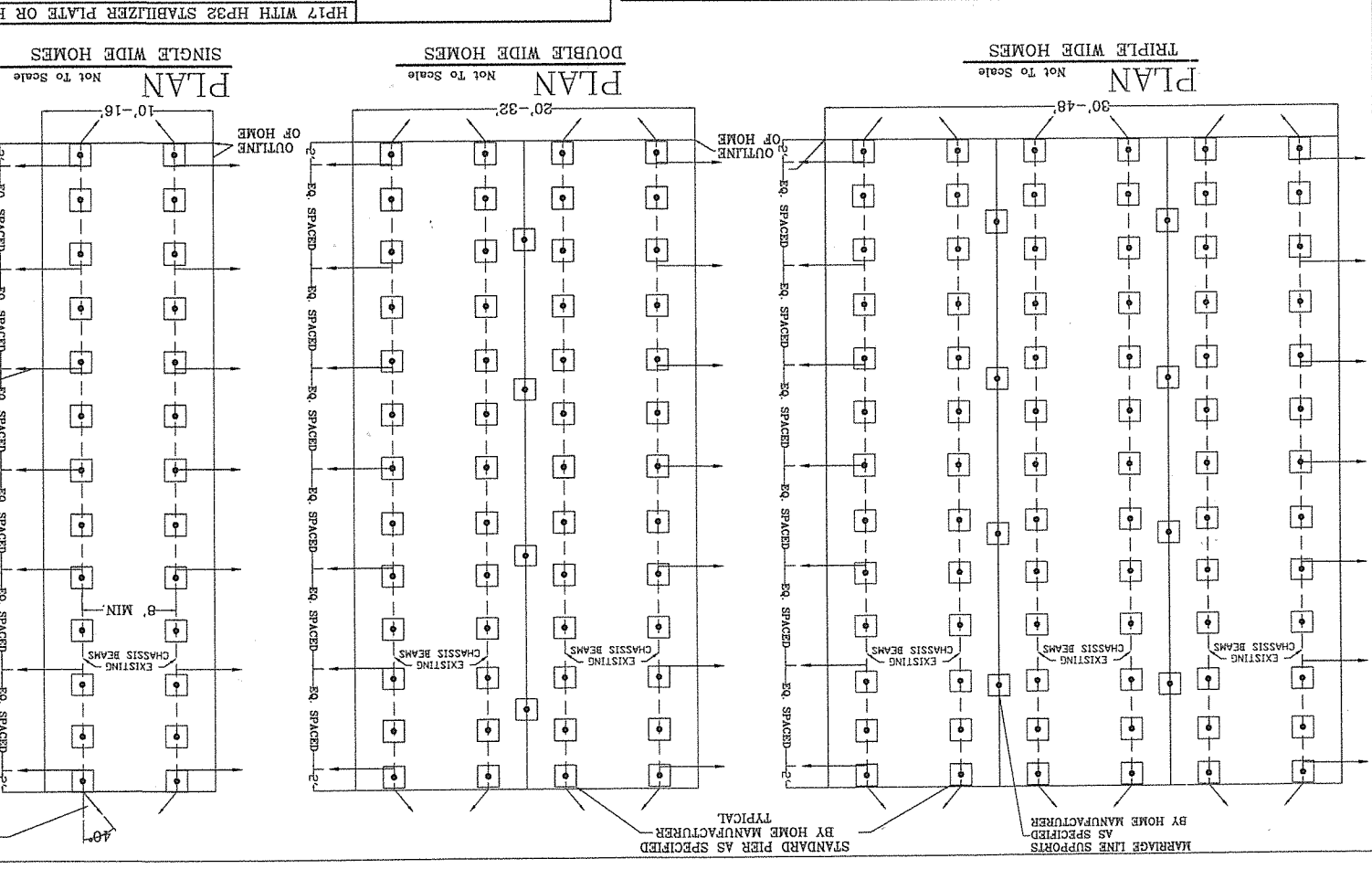
FOR: HOME PRIDE INC.
 P.O. BOX 160387
 NASHVILLE, TN 37216-0387
 (615) 226-6453
 ENGINEERED TIEDOWN SYSTEM (ETS-141)

GENERAL NOTES:
 END WALL TIEDOWNS
 SEE TABLE FOR TOTAL ANCHORS PER HOME.
 ANCHORS PER HOME.
 ATTACH TO CHASSIS BEAM WITH HP24 ANGLE.
 WIND: AS LISTED IN TABLE (15 PSF MINIMUM)

THE ANCHORS SHALL BE LISTED & LABELED BY AMERICAN INDUSTRIAL TESTING AS FOLLOWS:
 HP3 ANCHOR WITH HP23 M-PLATE STABILIZING PLATE; 2333 LBS WORK. (LISTING #LO-3436)
 HP17 ANCHOR WITH HP22 M-PLATE STABILIZING DEVICE; 3150 LBS WORK. (LISTING #LO-27150)
 HP17 ANCHOR WITH HP23 M-PLATE STABILIZING DEVICE; 3150 LBS WORK. (LISTING #LO-27150)
 STRAPS HP10, HP12, HP13 & HP14; 3150 LBS WORK. LIST 95-0389, #LO-11646, 12036, 95-0427
 NOTE: DESIGN CAPACITY=2/3 OF AVG. TESTED CAPACITY.
 INSTALLATION NOTES:
 CHOOSE EITHER THE HP3 ANCHOR WITH M-PLATE STABILIZER DEVICE OR THE HP17 ANCHOR WITH HP22 OR HP23 M-PLATE STABILIZING DEVICE OR HP10, 12S, 13 OR 14 FOR CONCRETE & ROCK.
 THEN SEE APPROPRIATE TABLE FOR TOTAL NUMBER OF SIDEWALL ANCHORS REQUIRED PER HOME. INSTALL 1/2 OF TOTAL REQUIRED ALONG EACH SIDE OF HOME.
 INSTALL FIRST SIDEWALL ANCHORS MAXIMUM 2 FEET FROM END OF HOME. INSTALL REMAINING ANCHORS EQUALLY SPACED ALONG THE LENGTH OF THE HOME.
 SEE TABLE FOR TOTAL NUMBER OF ENDWALL ANCHORS REQUIRED PER HOME. INSTALL 1/2 OF TOTAL REQUIRED AT EACH END OF HOME.
 WHEN FROST ZONE PRESENT, ANCHORS SHALL BE INSTALLED SUCH THAT ALL HELICAL PLATES ARE LOCATED A MINIMUM OF 6 INCHES BELOW THE FROST DEPTH.
 STANDARD CHASSIS, PERIMETER AND MARRIAGE LINE SUPPORT.
 THE HOME SHALL BE INSTALLED AND SUPPORTED IN ACCORDANCE WITH THE HOME INSTALLATION MANUAL PROVIDED BY THE MANUFACTURER.
 HOME SIZE NOTES:
 THIS PLAN HAS BEEN DESIGNED FOR THE HOME SIZES LISTED ON THE PLAN & IN THE TABLE.
 THE ROOF PITCH OF THE HOME SHALL NOT EXCEED 4:12.
 INSPECTION REQUIREMENTS:
 THE DESIGN OF THIS SYSTEM IS BASED ON STANDARD MANUFACTURED HOMES AS BUILT IN THE FACTORY. SITE BUILD ADDITIONS SUCH AS GARAGES AND SECONDARY ROOFS HAVE NOT BEEN INCLUDED IN THIS DESIGN.
 ALL DIMENSIONS INCLUDED ON THIS PLAN INCLUDING HOME SIZE, ROOF PITCH AND HEIGHT FROM GROUND TO CHASSIS BEAM SHOULD BE FIELD VERIFIED BY THE LOCAL BUILDING OFFICIAL. ANY DISCREPANCIES SHALL BE BROUGHT TO THE ENGINEERS' ATTENTION.
 THE BUILDING PAD SHOULD BE INSPECTED TO ENSURE THE PROPER LOT PREPARATION AND DRAINAGE PATTERNS HAVE BEEN ESTABLISHED IN ACCORDANCE WITH TITLE 25 AND THE HOME INSTALLATION MANUAL.

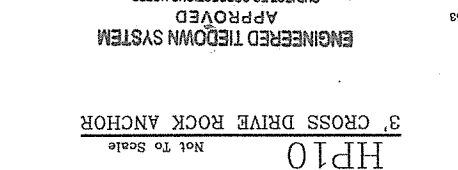
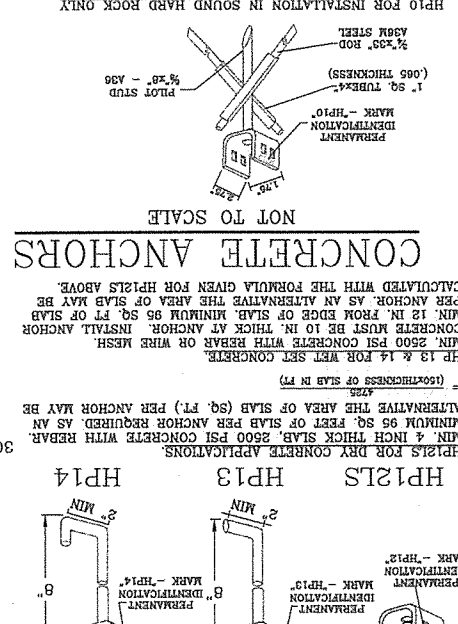


Signed: 3/21/08
 M. W. W.
 No. 60245
 CIVIL ENGINEER
 STATE OF CALIFORNIA

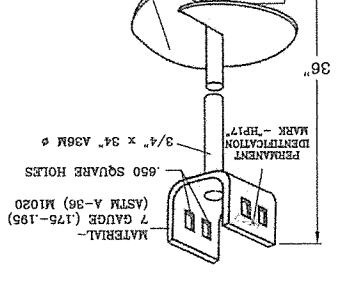
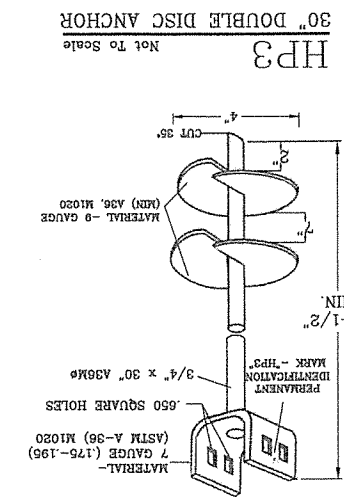


ANCHOR TYPE	COACH SIZE	LENGTH	SIDE END WALL	SIDE END WALL	SIDE END WALL	WIND ZONE (MPH, EXPOSURE)				
						B5B or 15psf	B5C			
HP17 WITH HP23 STABILIZER PLATE OR HP34ZIP CAP	SINGLE WIDES (10'-16")	36"	4"	4"	4"	4"	100C			
								4"	4"	4"
								4"	4"	4"
HP32	DOUBLE WIDES (20'-32")	60"	8"	8"	8"	8"	100C			
								8"	8"	8"
								8"	8"	8"
HP34	TRIPLE WIDES (30'-48")	78"	12"	12"	12"	12"	100C			
								12"	12"	12"
								12"	12"	12"

ANCHOR TYPE	COACH SIZE	LENGTH	SIDE END WALL	SIDE END WALL	SIDE END WALL	WIND ZONE (MPH, EXPOSURE)				
						B5B or 15psf	B5C			
HP3 WITH HP23 M-PLATE STABILIZER DEVICE (ONLY)	SINGLE WIDES (10'-16")	36"	4"	4"	4"	4"	100C			
								4"	4"	4"
								4"	4"	4"
HP32	DOUBLE WIDES (20'-32")	60"	8"	8"	8"	8"	100C			
								8"	8"	8"
								8"	8"	8"
HP34	TRIPLE WIDES (30'-48")	78"	12"	12"	12"	12"	100C			
								12"	12"	12"
								12"	12"	12"



APPROVED
 ENGINEERED TIEDOWN SYSTEM
 SUBJECT TO CORRECTIONS NOTED
 Approved does not authorize or approve any erection or modification from requirements of applicable State laws and regulations.
 Department of Housing and Community Development
 DIVISION OF CODES AND STANDARDS
 By: [Signature]
 Date: 4/1/2008
 SPA NO. ETS141
 This Plan Approved Expires 4/5/2010
 Not To Scale



HP17 3/4" DOUBLE DISC ANCHOR
 Not To Scale

